

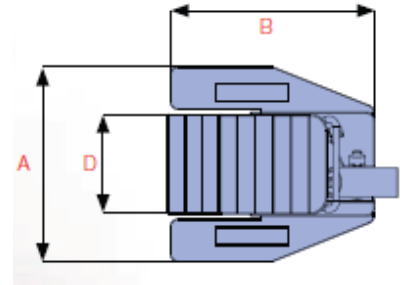
CALL 8360 8910



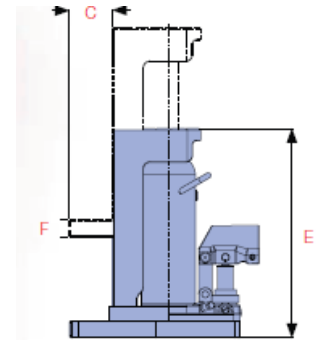
Australia's best range of quality heavy rigging gear

Toe Jacks

Toe jacks are the perfect solution for lifting machinery and process equipment onto load skates with a low lifting point, completely portable and easy to operate these are the simple answer to lifting.



WLL	A	B	C	D	E	F	Stroke	Weight
	mm	mm	mm	mm	mm	mm	mm	kg
5 Tonne	182	259	60	75	282	22	130	22
10 Tonne	215	275	63	85	320	28	140	32



Durapac airlift bags

We stock a complete Durapac™ four point air lift bag kit, this equipment has a multitude of applications from standard jacking to lifting pipelines and use in demolition. The bags have Kevlar™ reinforcing and feature pressure relief valves in the event of over inflation.

A dimpled surface allows for stacking of one bag on another to increase height, air lines are all Nitto fittings and the hand controllers accommodate two colour coded hoses; everything packs neatly into a sturdy transit case.



Model	Lifting Capacity	Max Lifting height (mm)	Thickness	Footprint	Air volume (L)	Max Inflation pressure (bar)	Burst pressure (bar)	Weight (kg)
KPL 12-22	12,650kg	220mm	28mm	450 x 450mm	152	8	32	5.3



Fact7/151 Dohertys Road Laverton North Vic 3026

www.dynamicrigging.com.au

sales@dynamicrigging.com.au

03 8360 8910