

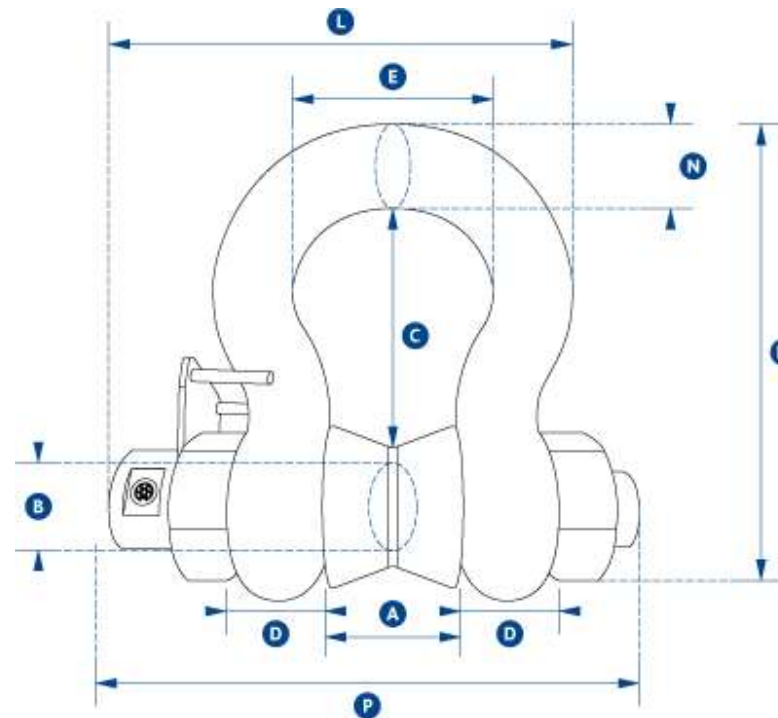
Straightpoint manufactures quality load cell shackles provide an alternative to traditional tension load cells with the main shackle pin being the load measuring device in conjunction with the load centring bobbin the signal is transmitted on a 2.4GHz proprietary band with 700m range.

Applications are limitless;

- Under hook crane weighing and/or crane scale secondary verification
- Mooring line monitoring
- Load monitoring in rigging

### Specifications

- Battery life 1200 hours
- Uses standard off the self AA batteries
- Weather resistant radio telemetry case
- Resolution in 1kg increments
- Accuracy  $\pm 1\%$  of applied load
- Data rate of 3 updates per second
- Weight 18kg



25 tonne load cell shackle

A	73mm
B	51mm
C	170mm
D	44.5mm
E	127mm
H	313mm
L	281mm
N	57mm
P	293mm

For enquiries or to make a booking call our office on (03) 8360 8910