



Australian Made, global quality

Supplied with:

- ▶ Certification to AS4991-2004
- ▶ Proof load test certificate
- ▶ MPI welding report
- ▶ All welding to AS1554.1 SP
- ▶ Stainless steel compliance plate
- ▶ 2 pack painted finish (Y14 Golden Yellow)
- ▶ Australian Designed & Manufactured

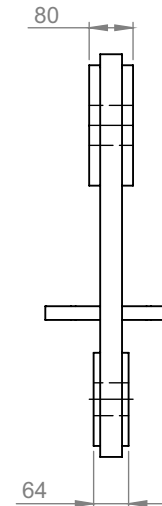
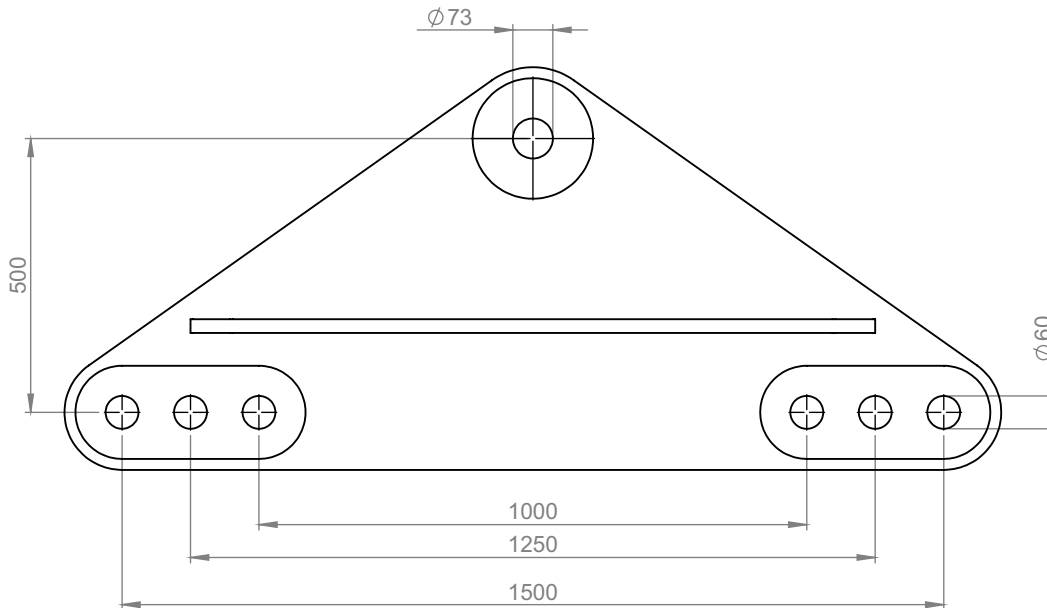
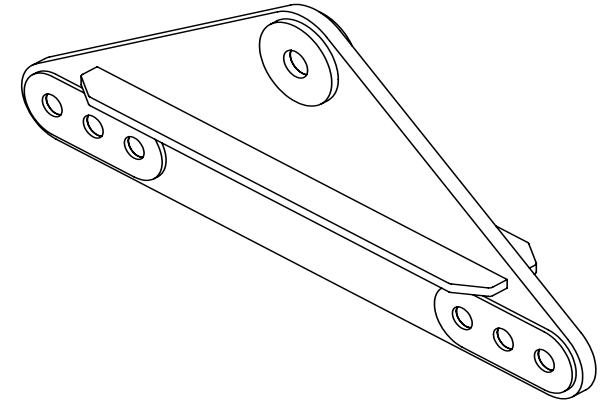
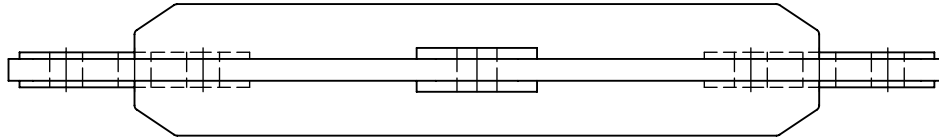


DYNAMIC RIGGING HIRE

50 tonne equalising triangle

WLL 50t

Lifting lugs to suit 55t Gr.S safety bow shackle
Load lugs to suit 35t Gr.S safety bow shackle
TARE 0.295t



Supplied to customer in stillage
Fitted with Green Pin shackles
Two units in our rental fleet

Drawing Number: Sk8495-1

Revision: A

Drawn by: NVB

Dynamic Rigging Hire
(03) 8360 8910

www.dynamicrigging.com.au

THIS SKETCH AND THE INFORMATION ON IT REMAINS THE PROPERTY OF MAXIRIG. WRITTEN PERMISSION MUST BE OBTAINED FROM MAXIRIG TO COPY OR REPRODUCE THE WHOLE OR PART OF THIS DRAWING.