

# 250 KG TOOL CAGE

# Maxirig

QUALITY LIFTING SOLUTIONS



A compact, general purpose tool cage designed for the carriage of smaller loads such as hand tools and materials but still maintaining full compliance with Australian Standards.

MAXIRIG PRODUCT CODE

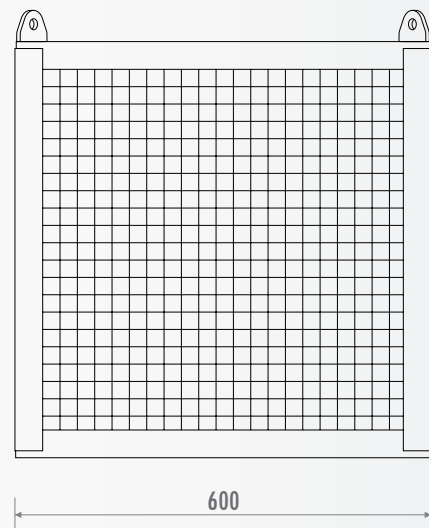
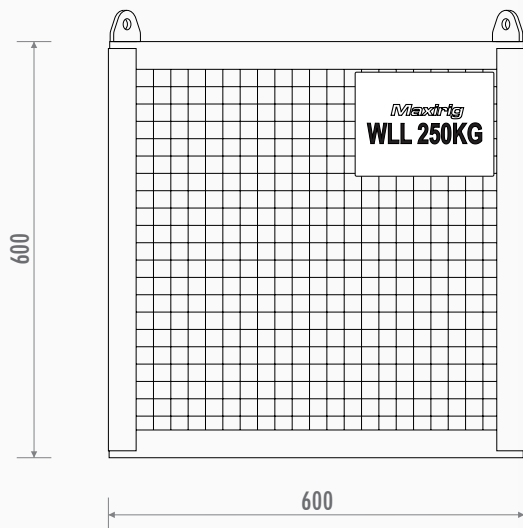
**GCG3025**

## DESCRIPTION

<b>Work Load Limit:</b>	250kg
<b>Tare Weight:</b>	30kg (excluding shackles or associated rigging gear)
<b>Dimensions:</b>	600mm (W) x 600mm (L) x 600mm (H)
<b>Finish:</b>	Y14 Golden Yellow

## PRODUCT ASSURANCE

<b>Parent Standard:</b>	AS4991
<b>Proof Load Testing</b>	Yes
<b>MPI Weld Inspection</b>	Yes
<b>Manufacturer's Guarantee</b>	1 Year



### WE PROVIDE SUPERIOR QUALITY LIFTING PRODUCTS AUSTRALIA WIDE

All Maxirig products are designed and manufactured in Australia by our highly skilled team of engineers and boilermakers.

VISIT [WWW.MAXIRIG.COM.AU](http://WWW.MAXIRIG.COM.AU)