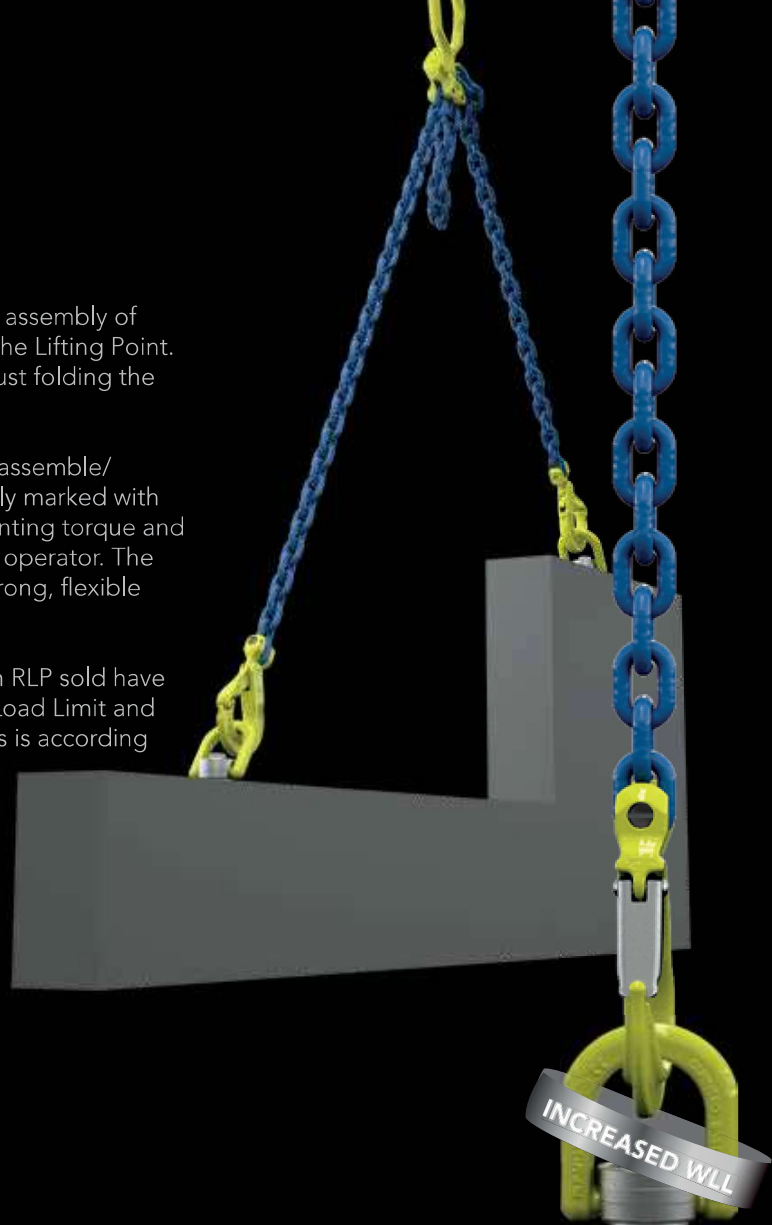


Rotating Lifting Point - RLP

The RLP has a dismountable D-ring to enable assembly of roundsling, master link or hook directly onto the Lifting Point. The disassembly of the RLP is made easy by just folding the D-ring forward and push down.

RLP has a hexagon bolt to make it easy to disassemble/assemble with a wrench. The bolt is also clearly marked with information such as Working Load Limit, mounting torque and manufacturer ID so it's always available to the operator. The RLP rotates 360° and pivots 180°, making it strong, flexible and reliable.

As with all Gunnebo Industries products, each RLP sold have been proof loaded to 2.5 times the Working Load Limit and visually inspected by a licensed inspector. This is according to our knowledge and experience the most reliable method to detect possible deviations on the product or in the production process. We don't gamble with safety! All Gunnebo Industries Lifting Points are CE-marked.



Working Load Limits* - RLP

Symmetric Load (tonnes)	1		2		2 symmetric		3 & 4 symmetric		Tightening torque	Spanner size
	No. of legs	1	2	2	0-45°	45-60°	0-45°	45-60°		
Angle β	0°	90°	0°	90°	0-45°	45-60°	0-45°	45-60°		
RLP - M8 x 1.25	0.8	0.4	1.6	0.8	0.5	0.4	0.8	0.6	10 Nm	13 mm
RLP 5/16"-18 UNC	0.8	0.4	1.6	0.8	0.5	0.4	0.8	0.6	7 Ft.Lbs	1/2"
RLP - M10 x 1.5	1.2	0.7	2.4	1.4	0.9	0.7	1.4	1.0	15 Nm	13 mm
RLP 3/8"-16 UNC	1.2	0.65	2.4	1.3	0.9	0.6	1.3	0.9	11 Ft.Lbs	1/2"
RLP - M12 x 1.75	2.0	1.2	4.0	2.4	1.6	1.2	2.5	1.8	27 Nm	24 mm
RLP 1/2"-13 UNC	2.0	1.2	4.0	2.4	1.6	1.2	2.5	1.8	20 Ft.Lbs	15/16"
RLP - M16 x 2	3.2	2.0	6.4	4.0	2.8	2.0	4.2	3.0	60 Nm	24 mm
RLP 5/8"-11 UNC	3.2	2.0	6.4	4.0	2.8	2.0	4.2	3.0	44 Ft.Lbs	15/16"
RLP - M20 x 2.5	5.6	2.8	11.2	5.6	3.9	2.8	5.8	4.2	90 Nm	32 mm
RLP 3/4"-10 UNC	5.0	2.5	10.0	5.0	3.5	2.5	5.2	3.7	66 Ft.Lbs	1 5/16"
RLP 7/8"-9 UNC	5.6	2.8	11.2	5.6	3.9	2.8	5.8	4.2	66 Ft.Lbs	1 5/16"
RLP - M24 x 3	8.0	4.6	16.0	9.2	6.4	4.6	9.6	6.9	135 Nm	32 mm
RLP 1"-8 UNC	8.0	4.6	16.0	9.2	6.4	4.6	9.6	6.9	100 Ft.Lbs	1 5/16"
RLP - M30 x 3.5	12.0	6.0	24.0	12.0	8.4	6.0	12.6	9.0	270 Nm	55 mm
RLP 1 1/4"-7 UNC	12.0	6.0	24.0	12.0	8.4	6.0	12.6	9.0	200 Ft.Lbs	2 1/4"
RLP - M36 x 4	14.0	8.0	28.0	16.0	11.2	8.0	16.8	12.0	320 Nm	55 mm
RLP 1 1/2"-6 UNC	14.0	8.0	28.0	16.0	11.2	8.0	16.8	12.0	236 Ft.Lbs	2 1/4"
RLP - M42 x 4.5	16.0	14.0	32.0	28.0	19.6	14.0	29.4	21.0	600 Nm	75 mm
RLP 1 3/4"-5 UNC	16.0	14.0	32.0	28.0	19.6	14.0	29.4	21.0	440 Ft.Lbs	3"
RLP - M48 x 5	20.0	16.0	40.0	32.0	22.4	16.0	33.6	24.0	800 Nm	75 mm
RLP 2"-4.5 UNC	20.0	16.0	40.0	32.0	22.4	16.0	33.6	24.0	590 Ft.Lbs	3"

* Safety factor 4:1

Rotating Lifting Point - RLP



Art. no. Standard bolt length	L	Art.no. Long bolt length**	L2	Code	B	C	D	Dimensions in mm					Weight kgs
								L1	M	X	Y	Z	
Z101708	16	Z1017080L	101	RLP-M8 x 1.25	42	35	12	62	8	27	64	Ø40	0.3
Z101710	16	Z1017100L	101	RLP-M10 x 1.5	42	35	12	62	10	27	64	Ø40	0.3
Z101712	25	Z1017120L	120	RLP-M12 x 1.75	57	46	19	88	12	42	91	Ø54	1.0
Z101716	25	Z1017160L	160	RLP-M16 x 2	57	46	19	88	16	42	91	Ø54	1.0
Z101720	36	Z1017200L	200	RLP-M20 x 2.5	83	55	28	110	20	55	133	Ø80	2.9
Z101724	36	Z1017240L	240	RLP-M24 x 3	83	55	28	110	24	55	133	Ø80	2.9
Z101730	58	Z1017300L	300	RLP-M30 x 3.5	114	70	34	148	30	78	182	Ø111	7.1
Z101736	58	Z1017360L	300	RLP-M36 x 4	114	70	34	148	36	78	182	Ø111	7.3
Z101742	81	Z1017420L	301	RLP-M42 x 4.5	149	91	40.4	190	42	99	229	Ø142	14.3
Z101748	81	Z1017480L	301	RLP-M48 x 5	149	91	40.4	190	48	99	229	Ø142	14.5

** Long bolt supplied with nut and washer.

Spare parts - Standard length and long length bolts are available as spare parts.

RLP with UNC thread



Art. no. Standard bolt length	L	Art.no. long bolt length**	L2	Code	B	C	D	Dimensions in mm					M inch	Weight kgs
								L1	X	Y	Z			
Z101808	16	Z1018080L	101	RLP-5/16"-18 UNC	42	35	12	62	27	64	Ø40	5/16"	0.3	
Z101810	16	Z1018100L	101	RLP-3/8"-16 UNC	42	35	12	62	27	64	Ø40	3/8"	0.3	
Z101812	25	Z1018120L	120	RLP-1/2"-13 UNC	57	46	19	88	42	91	Ø54	1/2"	1.0	
Z101816	25	Z1018160L	160	RLP-5/8"-11 UNC	57	46	19	88	42	91	Ø54	5/8"	1.0	
Z101820	36	Z1018200L	200	RLP-3/4"-10 UNC	83	55	28	110	55	133	Ø80	3/4"	2.9	
Z101821	36	Z1018210L	240	RLP-7/8"-9 UNC	83	55	28	110	55	133	Ø80	7/8"	2.9	
Z101824	36	Z1018240L	240	RLP 1"-8 UNC	83	55	28	110	55	133	Ø80	1"	2.9	
Z101830	58	Z1018300L	300	RLP 1 1/4"-7 UNC	114	70	34	148	78	182	Ø111	1 1/4"	7.1	
Z101836	58	Z1018360L	300	RLP 1 1/2"-6 UNC	114	70	34	148	78	182	Ø111	1 1/2"	7.3	
Z101842	81	Z1018420L	301	RLP 1 3/4"-5 UNC	149	91	40.4	190	99	229	Ø142	1 3/4"	14.4	
Z101848	81	Z1018480L	301	RLP 2"-4.5 UNC	149	91	40.4	190	99	229	Ø142	2"	14.7	

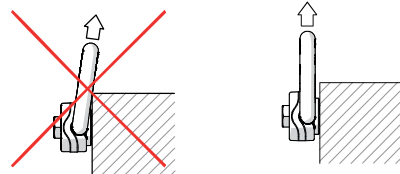
** Long bolt supplied with nut and washer.

Spare parts - Standard length and long length bolts are available as spare parts.

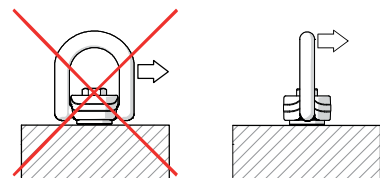


Disassembly of the RLP is made easy by just folding the D-ring forward and push down.

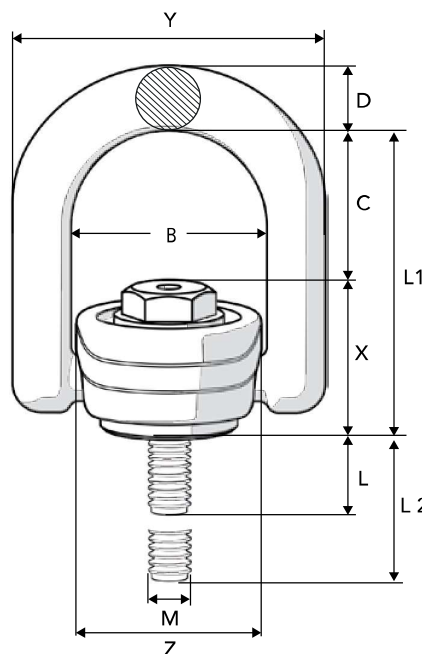
User advice



Make sure the D-ring does not lie against the load surface during lift.



Never side-load the RLP.



Tight space

Limited height

Vertical lift

Angular lift

Vertical rotation under load

Tilting under load

Sensitive load surface

Single part lift

Multiple part lift

Integrated combination
(hook or link)

RFID prepared