



# 35t LOAD TRANSFER PLATE

# Maxirig

QUALITY LIFTING SOLUTIONS

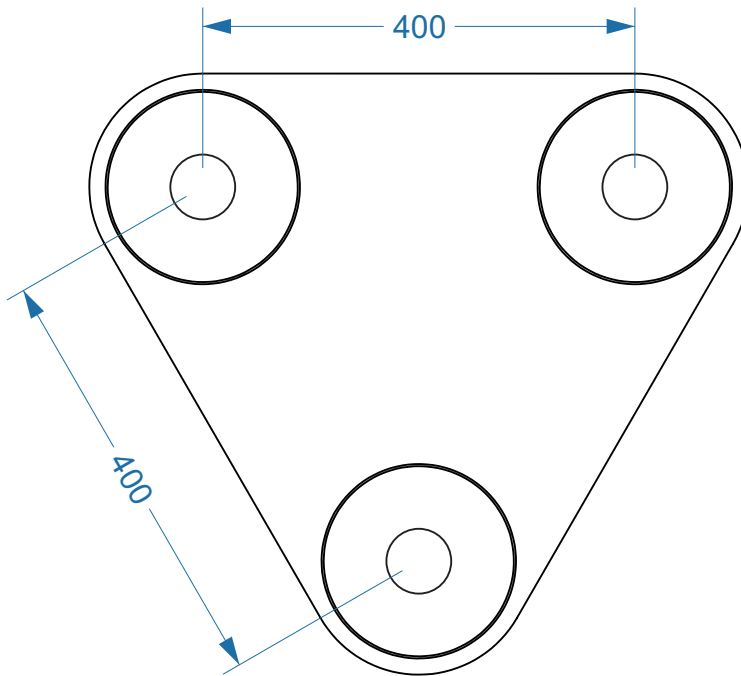
MAXIRIG PRODUCT CODE  
**LTP1035**

## DESCRIPTION

Tare Weight:	0.090 Tonne (excluding shackles or associated rigging gear)
Lifting Lugs suit:	35 tonne Grade 'S' safety bow shackle
Load Lugs suit:	35 tonne Grade 'S' safety bow shackle
Centre Lug suit:	N/A

## PRODUCT ASSURANCE

Parent Standard:	AS4991
Proof Load Testing	Yes
MPI Weld Inspection	Yes
Manufacturer's Guarantee	1 Year



WE PROVIDE SUPERIOR QUALITY LIFTING PRODUCTS AUSTRALIA WIDE

All Maxirig products are designed and manufactured in Australia by our highly skilled team of engineers and boilermakers.