

CALL 8360 8910

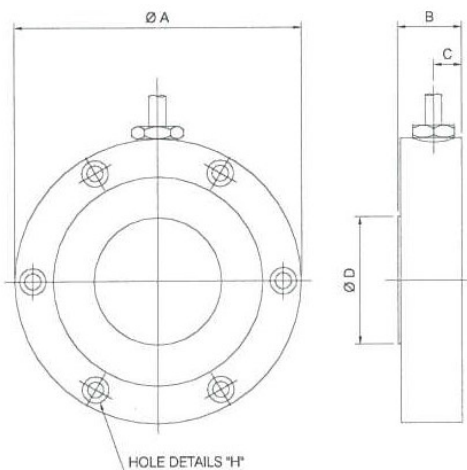


Australia's best range of quality heavy rigging gear

Compression load cells

Straininstall 4 x 100t load cells

- ⇒ NATA calibration certificate
- ⇒ Simple plug in and ready to use
- ⇒ Resolution 20kg
- ⇒ Digital display per load cell
- ⇒ Accuracy +/- 0.2%
- ⇒ Class A from 10,000kg to 100,000kg
- ⇒ Optional dome insert for increased height
- ⇒ Six caps head bolt holes



Type	A	B	C	D	H
3357	184	53	12	70	6 fixing holes 16.5Ø, CBORE 25.0 X 16.5 deep. Equi-spaced on 146.0 PCD



www.dynamicrigging.com.au
sales@dynamicrigging.com.au
03 8360 8910