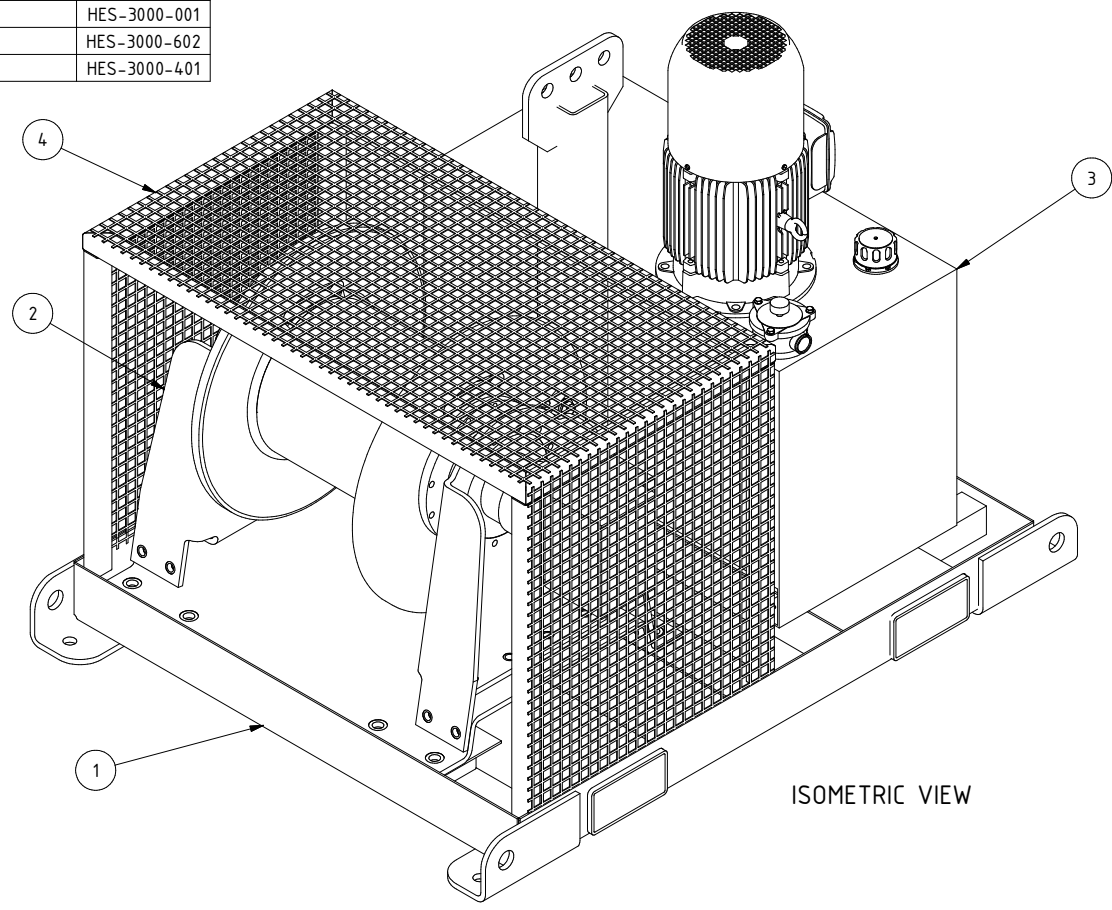
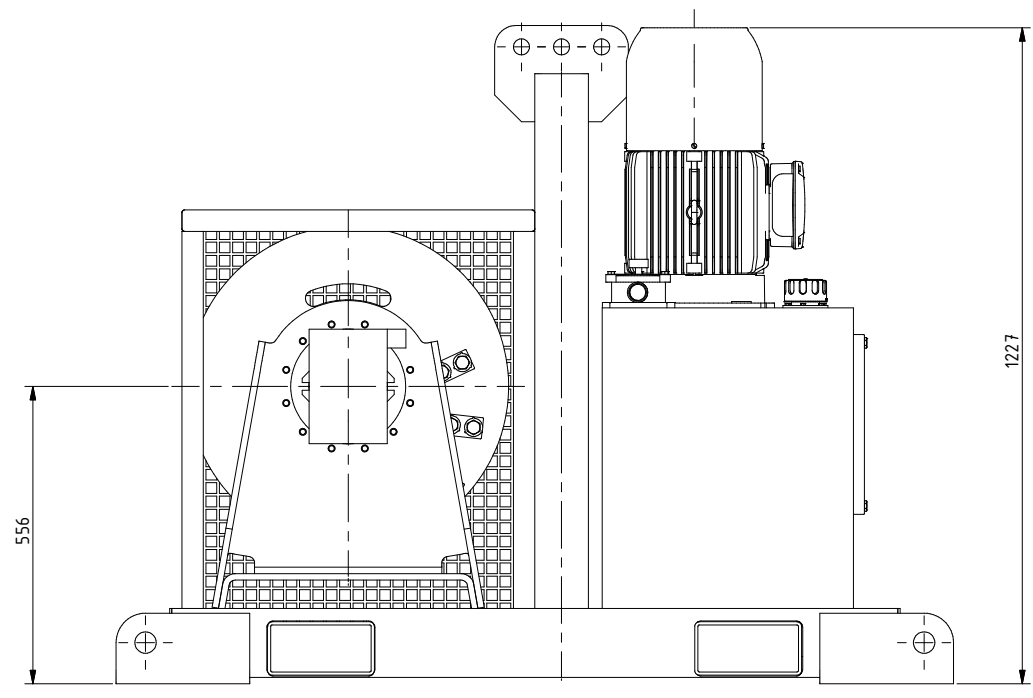
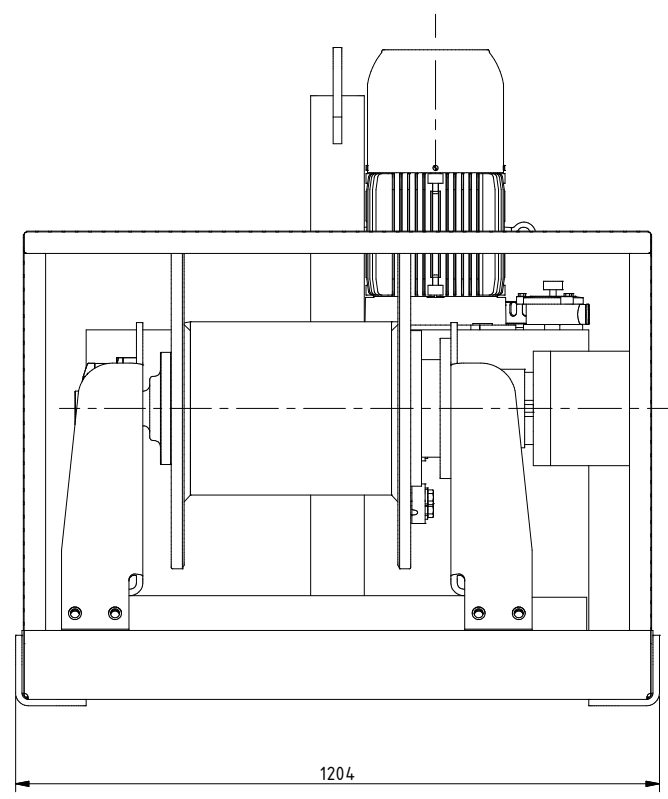
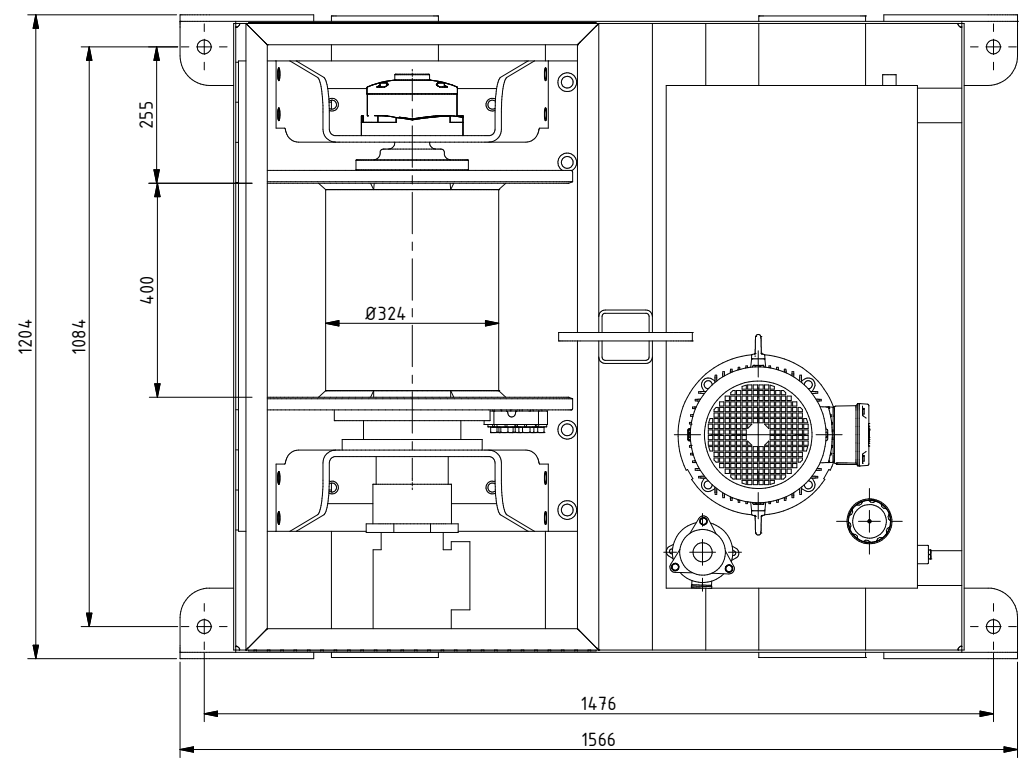


ASSEMBLY PARTS LIST			
ITEM No	QTY	DESCRIPTION	PART/DRG NU
1	1	BASE FRAME	HES-3000-312
2	1	WINCH ASSEMBLY	HES-3000-001
3	1	POWER PACK	HES-3000-602
4	1	DRUM GUARD	HES-3000-401

# Dynamic Rigging Hire 3t 415v 32amp Hydraulic winch



ISOMETRIC VIEW



REV	ZONE	DATE	REVISION DETAILS AND DESCRIPTION	DRAFT	APP BY	APP DATE
A			PRELIMINARY ISSUE FOR APPROVAL			

UNLESS OTHERWISE NOTED DIMENSION IN MILLIMETERS. DO NOT SCALE DRAWING. IF IN DOUBT ASK.		
3RD ANGLE PROJECTION	CLEAN AND DEBUR ALL SHARP EDGES, CORNERS & HOLES.	DRAWN: MPA DATE: 18/06/2014
MANUFACTURE WITHIN TOLERANCES & FREE FROM DISTORTION.	ALL WELDS 6mm CONTINUOUS FILLET U.N.O. IF IN DOUBT ASK.	CHECKED: DATE:
		ENG APP'D: DATE:

**HES WINCHES AUSTRALIA**  
 PO BOX 62 BROWNS PLAINS QLD 4118  
 Tel +617 3803 1516  
 Fax +617 3803 1532  
 e-mail: pbarrett@heswinches.com.au

3 T ELECTRIC HYDRAULIC WINCH  
 GENERAL ARRANGEMENT  
 HES

SCALE:	A2	SHEET 1 of 1
DWG No.	HES-3000-000	
REV	B	

File: D:\Data\Inventory\HES3\HES3 Winch\Drawings\HES-3000-000.dwg . Last Saved by: H6600 . Last Saved Date: 18/06/2014