



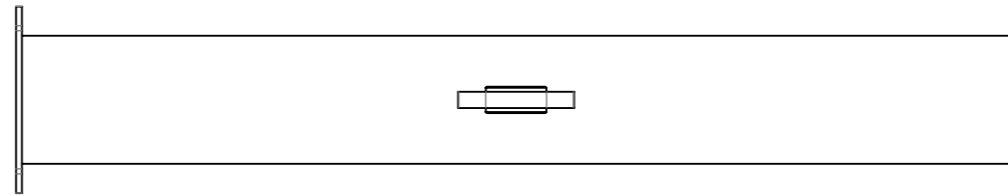
Australian Made,
global quality

Supplied with:

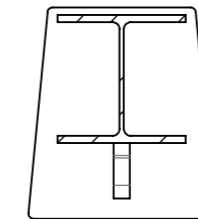
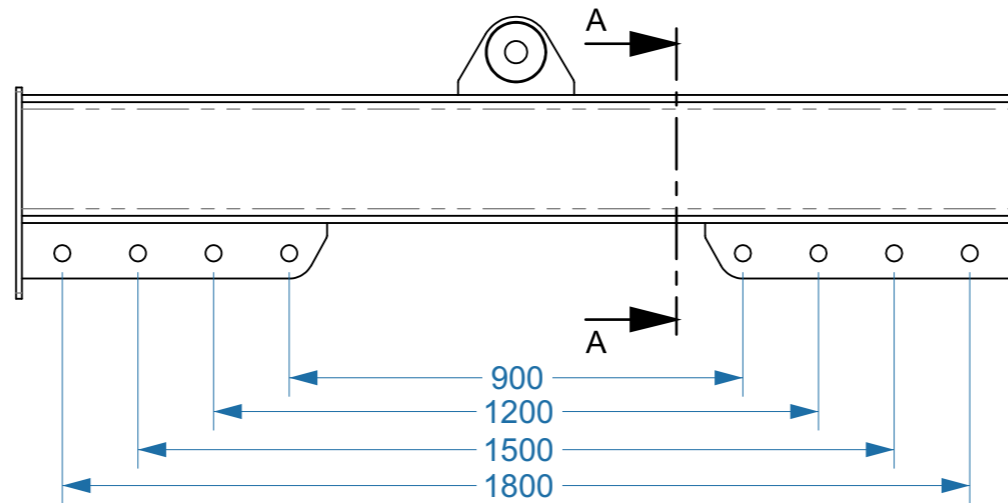
- ▶ Certification to AS4991-2004
- ▶ Proof load test certificate
- ▶ MPI welding report
- ▶ All welding to AS1554.1 SP
- ▶ Stainless steel compliance plate
- ▶ 2 pack painted finish (Y14 Golden Yellow)
- ▶ Australian Designed & Manufactured



Lifting beam 15t WLL



Height from centre
lifting point to lower
lifting points 380mm



SECTION A-A

Lifting lugs to suit 17t Gr.S safety bow shackle
 Load lugs to suit 8.5t Gr.S safety bow shackle
 Approx TARE 0.205t

Dynamic Rigging Hire
 Fleet 1485, 1486

Dynamic Rigging Hire Pty Ltd
 96 North View Drive
 Sunshine West Vic 3020
 Ph. (03) 8360 8910