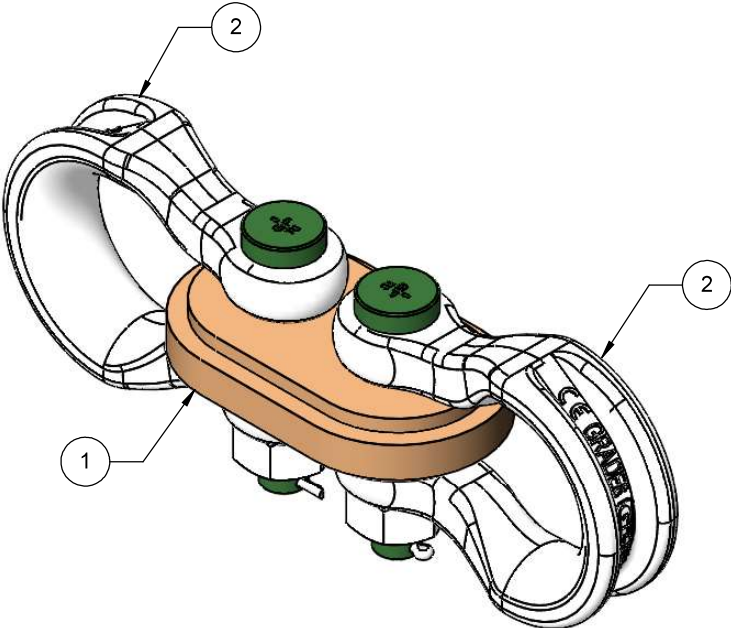
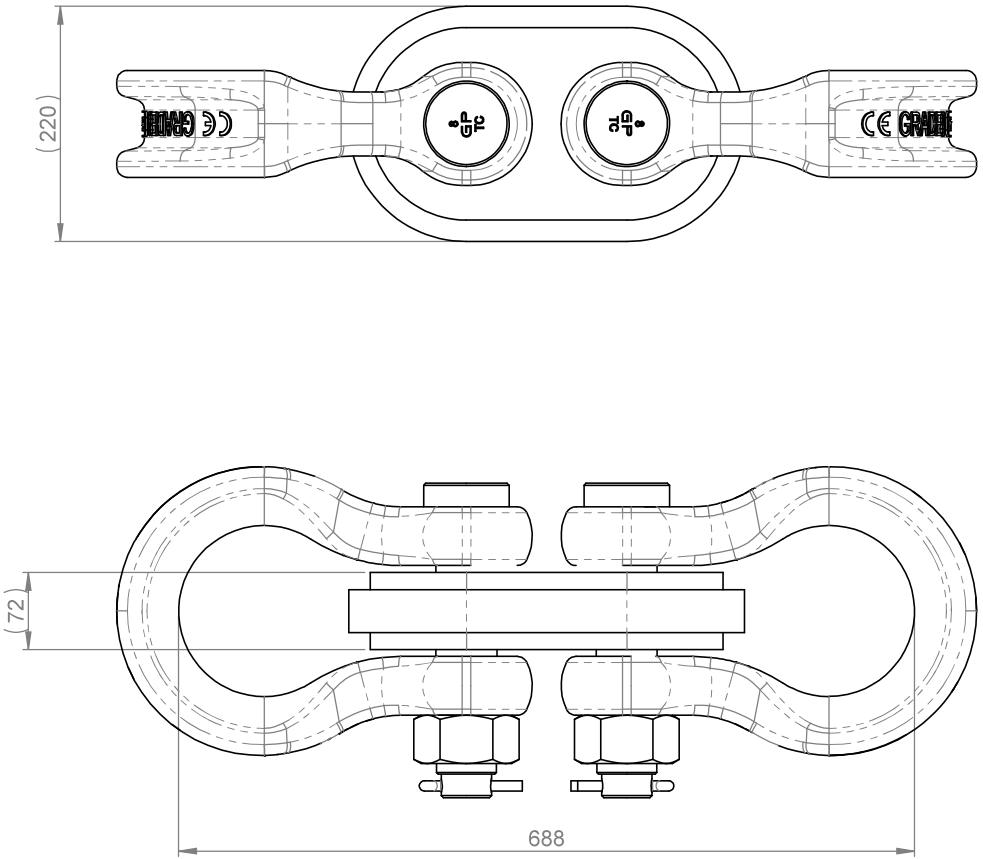


# 55t Link Plates



- NOTE:
1. ALL WELDS TO AS1554.1 CAT. SP.
  2. ALL WELDS TO BE 10mm C.F.W. UNLESS SHOWN OTHERWISE
  3. LUGS TO SUIT 55T GREEN PIN SLING SAVER
  4. ALL MATERIAL TO COMPLY WITH DETAIL DRAWINGS
  5. SURFACE FINISH TO CUSTOMERS SPEC.
  6. TARE 0.060 TONNE. (LINK ONLY) 0.145 TONNE WITH SHACKLES
  7. PROOF LOAD AND MARKINGS TO AS4991-2004

ITEM	QTY	PART	DESCRIPTION
1	1	LINK	
2	2	55T SLING SAVER SHACKLE	VAN BEEST SLING SAVER

Dynamic Rigging Hire Pty Ltd  
 96 North View Drive  
 Sunshine West Vic 3020 Ph. (03) 8360 8190

THIS DRAWING AND THE INFORMATION ON IT REMAINS THE PROPERTY OF MAXIRIG. WRITTEN PERMISSION MUST BE OBTAINED FROM MAXIRIG TO COPY OR REPRODUCE THE WHOLE OR PART OF THIS DRAWING.

DRAWN	KM	TITLE	SLING JOINING LINK		
CHECKED		SIZE	55T W.L.L.	SCALE	1:5
APPROVED		PROJECT	LINKS	DWG	9455
				CREATED DATE	16/03/20
				SHEET	1
				REV	0