

# Compression Load Cell

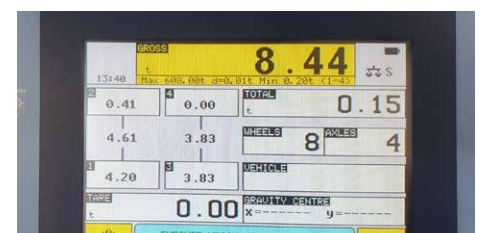
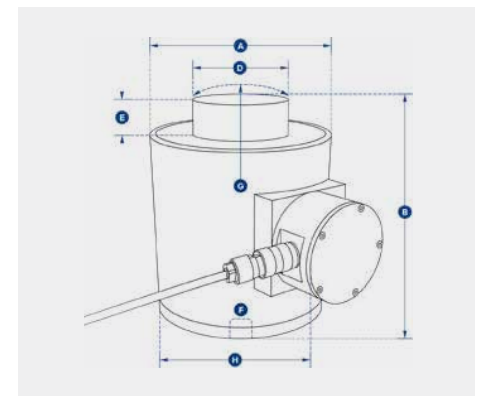
## 4 x 150 Tonne Units

We have combined the very best compression load cells from Crosby Straightpoint with a touch screen control box from Dini Argeo that provides one of the best systems available for hire. The system takes individual readings per load cell, readings in pairs of 1-2 and 3-4, sum total of all load cells and centre of gravity calculations all easily set up and operated. There is a built in ticket printer that provides all the load cell readings along with the ability to enter the customer name, technician name, job reference and location with a time and date.

The load cells from Crosby are accurate  $\pm 0.2\%$  through the range, 15m cables connect to the control box with military spec connectors and everything packs into a dedicated transport road case. We of course provide current NATA calibration certification and the system is thoroughly inspected and checked after each hire, we cross reference the load cells against the calibration report by using our load cell press and a secondary load cell to ensure accuracy.

## Features & Benefits

- Compact size
- Environmentally sealed to IP67 or NEMA6
- Optional analogue outputs
- Stainless steel element
- High accuracy
- Lightweight
- Unrivalled resolution
- 10m or 30ft cable supplied as standard (other lengths available)
- Custom versions available
- Design validated by F.E.A.



Part Number	NI5TC	NI10TC	NI25TC	NI50TC	NI100TC	NI150TC	NI300TC	NI500TC	NI1000TC
<b>Crosby Part</b>	<b>2789068</b>	<b>2789062</b>	<b>2789065</b>	<b>2789067</b>	<b>2789061</b>	<b>2789063</b>	<b>2789064</b>	<b>2789066</b>	<b>2789275</b>
<b>Capacity</b>	5 te 11,000 lb	10 te 22,000 lb	25 te 55,000 lb	50 te 110,000 lb	100 te 220,000 lb	150 te 330,000 lb	300 te 660,000 lb	500 te 1,100,000 lb	1,000 te 2,200,000 lb
<b>Resolution</b>	0.001te 2 lb	0.002 te 5 lb	0.005 te 10 lb	0.01 te 20 lb	0.05 te 100 lb	0.05 te 100 lb	0.1 te 200 lb	0.2 te 500 lb	0.5 te 1,000 lb
<b>Weight</b>	6.2 kg 13.64 lb	6.2 kg 13.64 lb	6.2 kg 13.64 lb	6.2 kg 13.64 lb	15.5 kg 34 lb	15.5 kg 34 lb	65 kg 143 lb	65 kg 143 lb	172 kg 379 lb
<b>Safety Factor</b>	3:1								
<b>Protection</b>	IP67/NEMA6								
<b>Operating Temp</b>	-10 to +50 °C / 14 to 122°F								
<b>Accuracy</b>	+/- 0.1% FS								
<b>Dimension ØA</b>	100 3.94	100 3.94	100 3.94	100 3.94	152 5.98	152 5.98	185 7.28	185 7.28	362 14.25
<b>Dimension B</b>	127 5.00	127 5.00	127 5.00	127 5.00	184 7.24	184 7.24	300 11.81	300 11.81	310 12.20
<b>Dimension ØD</b>	59 2.32	59 2.32	59 2.32	59 2.32	80 3.15	80 3.15	155 6.10	155 6.10	270 10.63
<b>Dimension E</b>	16 0.63	16 0.63	16 0.63	16 0.63	26 1.02	26 1.02	27.5 1.08	27.5 1.08	40 1.57
<b>Dimension F</b>	M18 x 2.5 M18 x 2.5	M18 x 2.5 M18 x 2.5	M18 x 2.5 M18 x 2.5	M20 x 2.5 M20 x 2.5	M20 x 2.5 M20 x 2.5	M20 x 2.5 M20 x 2.5	M20 x 2.5 M20 x 2.5	M20 x 2.5 M20 x 2.5	M30x3.5 M30x3.5
<b>Dimension G</b>	152 5.98	152 5.98	152 5.98	152 5.98	432 17.01	432 17.01	432 17.01	432 17.01	950 37.40
<b>Dimension H</b>	158 6.22	158 6.22	158 6.22	158 6.22	204 8.03	204 8.03	237 9.33	237 9.33	416 16.38