



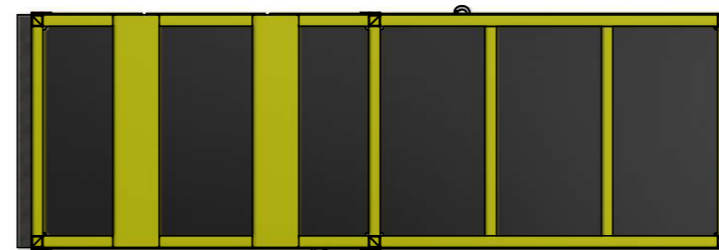
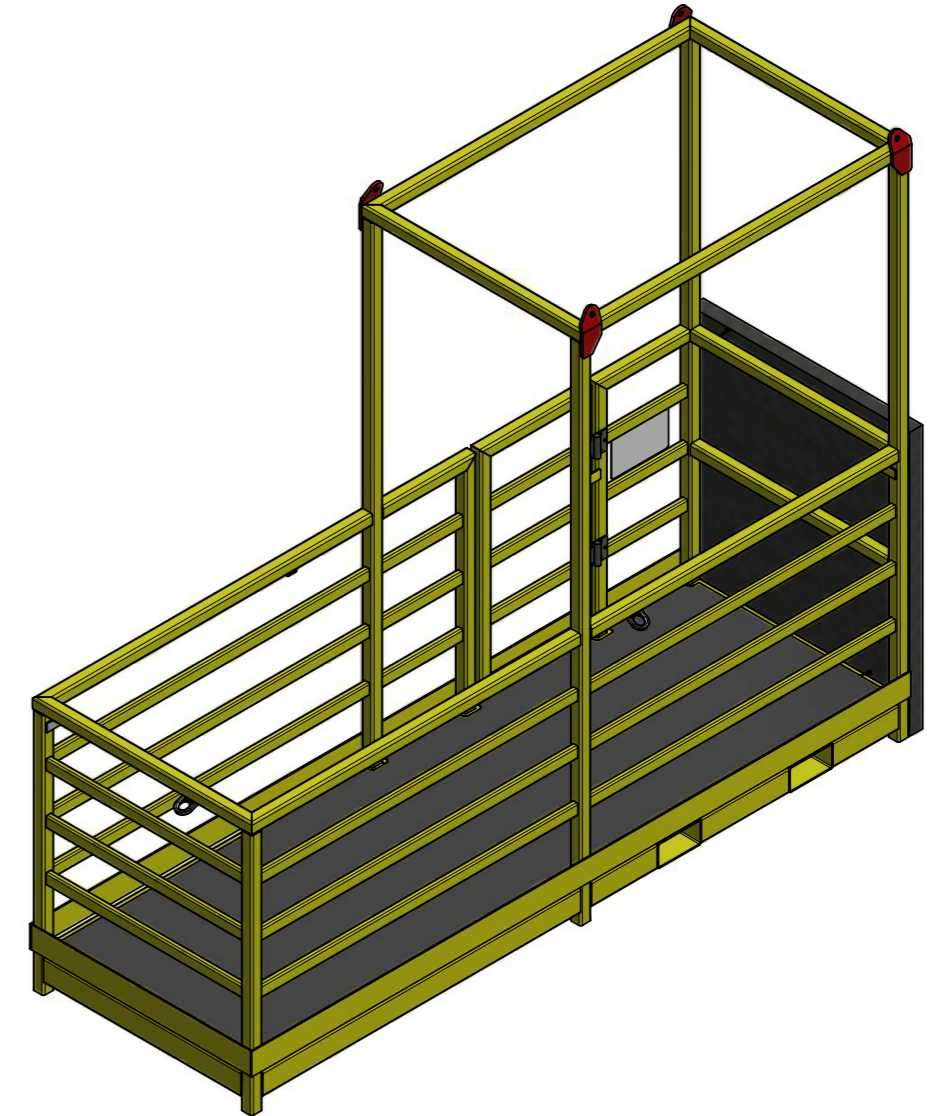
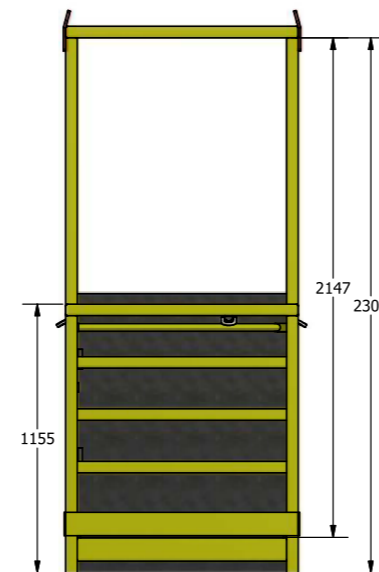
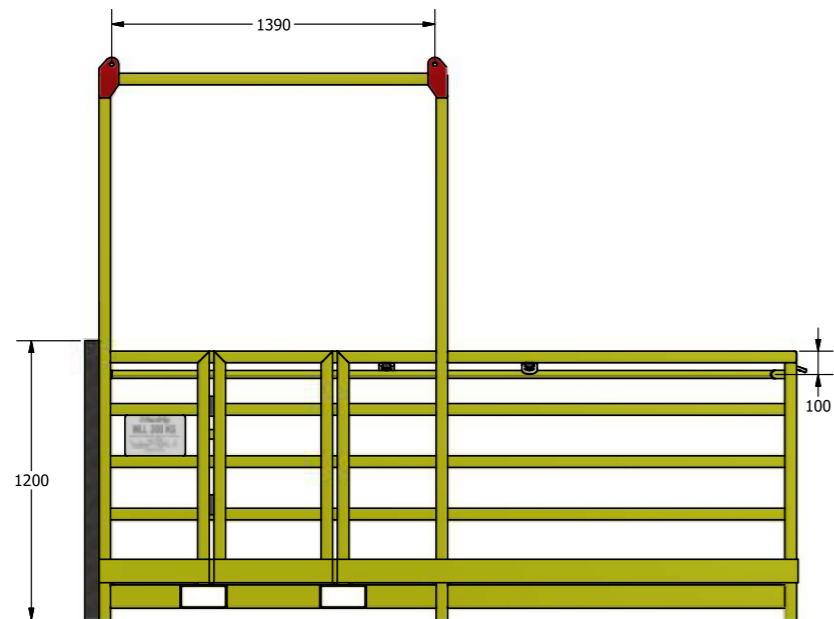
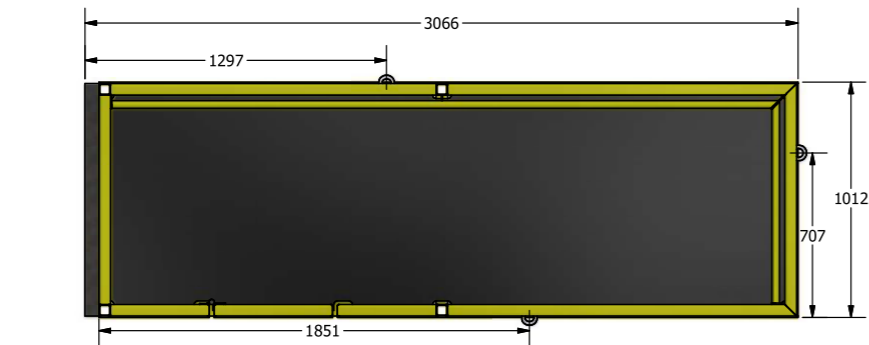
Supplied with:

- ▶ Certification to AS1418.17-1996
- ▶ Proof load test certificate
- ▶ MPI welding report
- ▶ All welding to AS1554.1 SP
- ▶ Anodized aluminium compliance plate
- ▶ 2 pack painted finish (Y14 Golden Yellow)
- ▶ Australian Designed & Manufactured

WLL 300kg (at 60° included sling angle)

Lifting lugs suit 2t Gr.S safety bow shackle

Approx TARE 1t



SKETCH NUMBER: Sk13654-1

REVISION: A

DRAWN BY: TK-1

CONCEPT SKETCH ONLY - DO NOT SCALE

THIS SKETCH AND THE INFORMATION ON IT REMAINS THE PROPERTY OF MAXIRIG. WRITTEN PERMISSION MUST BE OBTAINED FROM MAXIRIG TO COPY OR REPRODUCE THE WHOLE OR PART OF THIS DRAWING.